

# Eagle 4500 Foundation Trencher



**Primary Application: Building Construction, Concrete Footings**

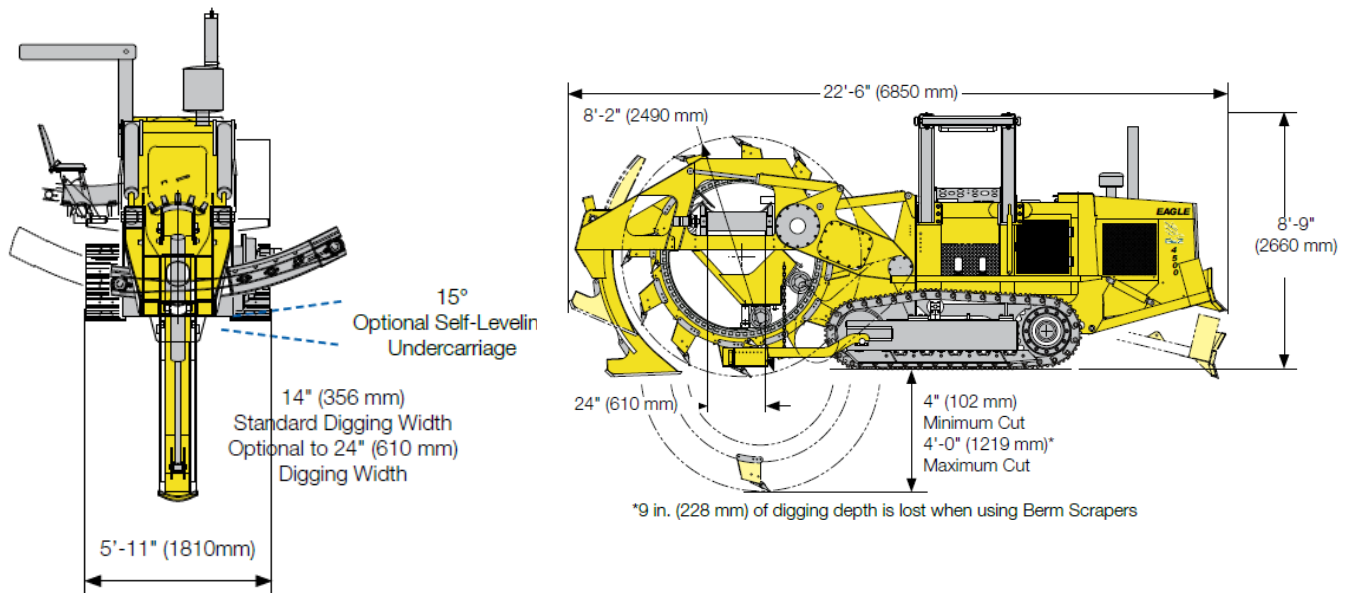
## Specifications:

**Cat C3.4B T4F Diesel Engine @ 115 HP, All Hydraulic Drives, GPS Compatible**

**4' Depth x 12/24" Width Cut, Hydraulic Crumb Shoe, Berm Scrapers, Dozer Blade**

**Cat D3 Size U/C, 12" Triple Grouser Track Pads, 8' x 24" Conveyor**

**Weight: 22,500 lbs**



**[www.EagleTrenchers.com](http://www.EagleTrenchers.com)**