

Eagle 6500 Wheel Trencher



Primary Applications: Utility & Pipeline Construction

Specifications:

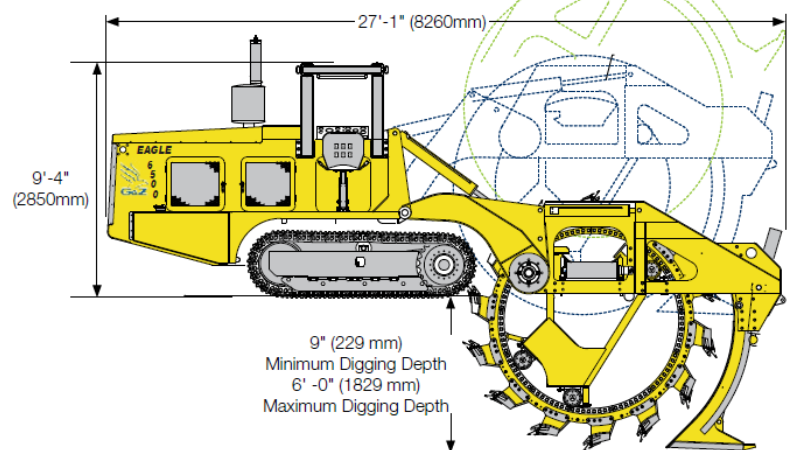
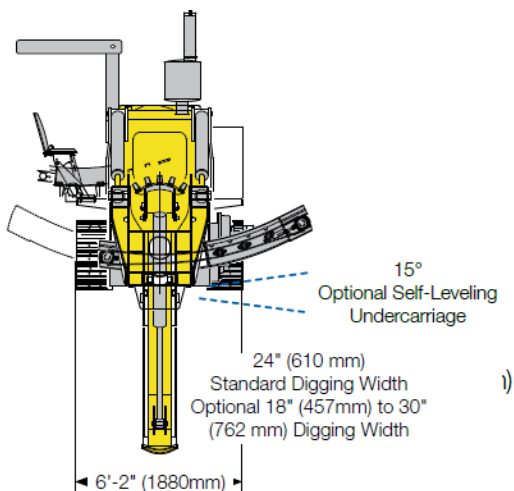
Cat Tier 4 Diesel Engine @ 175 HP, All Hydraulic Drives, GPS Compatible

6' Depth x 18/30" Width Cut, X156 Dirt Teeth, Hydraulic Crumb Shoe

Cat D4 Size Undercarriage, 16" TG Track Pads, 8' x 24" Conveyor

Weight: 42,000 lbs

Options: Cab, Berm Scrapers, Auto Leveling



www.EagleTrenchers.com