

# Eagle 7500 Wheel Trencher



**Primary Applications: Pipeline & Utility Construction**

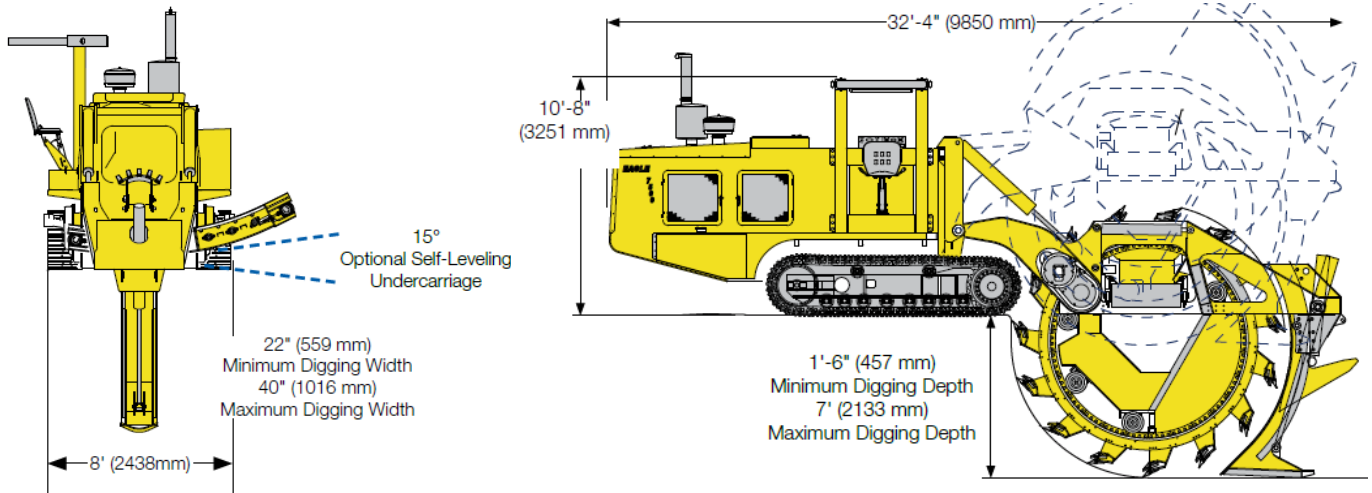
## Specifications:

**Cat C7.1 T4F Diesel Engine @ 275 HP, All Hydraulic Drives, GPS Compatible**

**7' Depth x 24/36" Width Cut, X156 Dirt Teeth, Fixed Crumb Shoe**

**Cat D4 Size U/C, 24" SG Track Pads, 30" x 8' Conveyor**

**Weight: 56,000 lbs**



[www.EagleTrenchers.com](http://www.EagleTrenchers.com)

**(909) 615-4037**

